

### SPECIFICATIONS

<b>Flue System</b>	Powered direct-vent, co-linear flue
<b>Flue Termination Locations</b>	Roof or wall mounted terminations
<b>Minimum Flue Length</b>	0.4m
<b>Max. Uninsulated Flexible Flue Length</b>	8m
<b>Max. Insulated Flexible Flue Length</b>	20m
<b>Max. Flue Length</b>	40m
<b>Max. Vertical run below the Fireplace</b>	1.5m
<b>Flue Pipe Sizes</b>	100 and 75mm Ø (ID) flue pipes
<b>Flue Clearance to Combustibles</b>	50mm for first 1.2m of flue length
<b>Flue Bends Allowed</b>	Max. 10 bends in any flue run
<b>Flue Insulation R-Value</b>	R 1.45
<b>Flue Insulation Service Temp.</b>	Up to 230° C
<b>Powerflue Fan Electrical Supply</b>	Supplied from Fireplace

### TECHNICAL INFORMATION

All Mode and Escea Gas Fireplaces require a Powered Direct Vent flue system, including a flue terminal, co-linear flexible flue pipes, and flue extensions as needed. **The flue pathway extends from the fireplace to the powerflue terminal in many different configurations, including vertical, horizontal, or a mix of both.** It can pass through walls, floors, roofs, or run to the side or beneath the fireplace. The flue system starts with a standard flue kit and can be extended using flexible and PolyPro flue extensions kits up to 40m. Follow the table below.

Flue terminal placement (wall/roof) must adhere to *AS/NZS 5601.1* and *KS1150 Peninsula Install Manual* flue clearances. Flue fan must remain accessible for servicing. Where PolyPro Flue extensions are used, an exhaust pipe condensate trap is required. This must drain to the foul water/sewer system.

### FLUE SELECTION STEPS

#### 1 Flue Terminal

Choose the flue terminal location, on the wall or roof. This dictates the standard flue kit used.

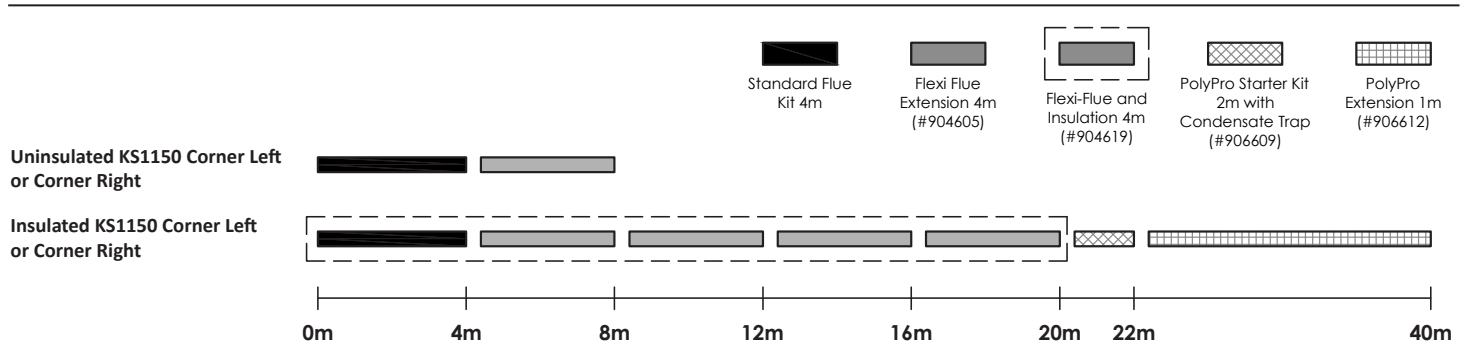
#### 2 Flue Pathway

Establish a pathway from the fireplace to the flue terminal, calculating all vertical and horizontal runs.

#### 3 Flue Components

Establish the method and components required to complete the flue system using the table below.

### FLUE SELECTION TABLE



### STANDARD FLUE KIT OPTIONS

#### Horizontal Powerflue (#906641)

For flue terminations through an external wall.

Minimum wall cavity opening requirements:

With wall fixing brackets:

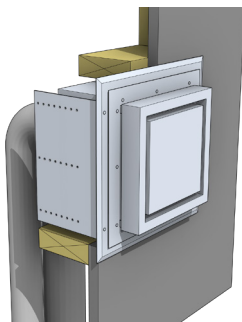
**350mm W x 300mm H**

Without wall fixing brackets:

**296mm W x 296mm H**

For dimensions and installation use the link below:

[Horizontal Powerflue Detail](#)



#### External Vertical Powerflue (#906617)

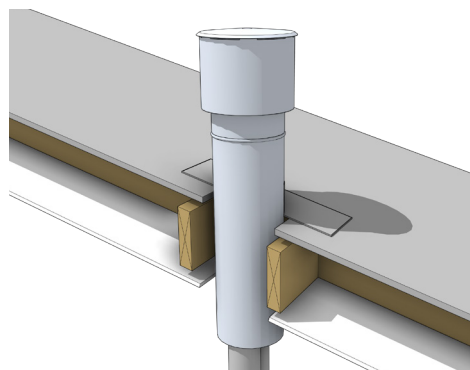
Used in situations where there is no roof space, or where servicing the flue fan is best undertaken from the roof or chimney top (preferred method).

Min. flue height above roof surface: **500mm**

Liner roof penetration: **225mm Ø.**

For dimensions and installation use the link below:

[External Vertical Powerflue Detail](#)



#### Internal Vertical Powerflue (#906618)

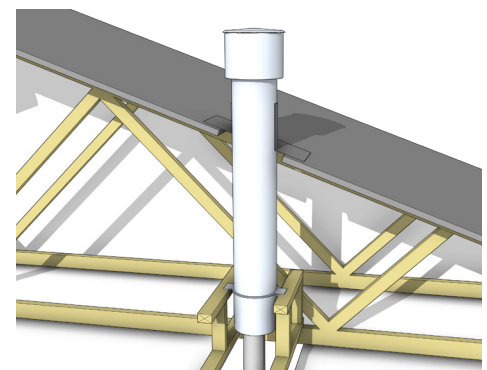
Suitable for installations where the flue fan must be located in a roof space, or in exposed coastal locations.

Min. flue height above roof surface: **500mm**

Liner roof penetration: **225mm Ø.**

For dimensions and installation use the link below:

[Internal Vertical Powerflue Detail](#)



For Installation methods not covered in this document please contact:

Email: [aa@escea.com](mailto:aa@escea.com) PH (NZ): 0800 17 3000

PH (AU): 1800 460 832

Install Manual and CAD files are available via the QR Code or link:

[www.escea.com/technical](http://www.escea.com/technical)

Disclaimer:

Dimensions provided are indicative and may not consider all site-specific variations or installation needs. Verify dimensions on-site before manufacturing or construction.