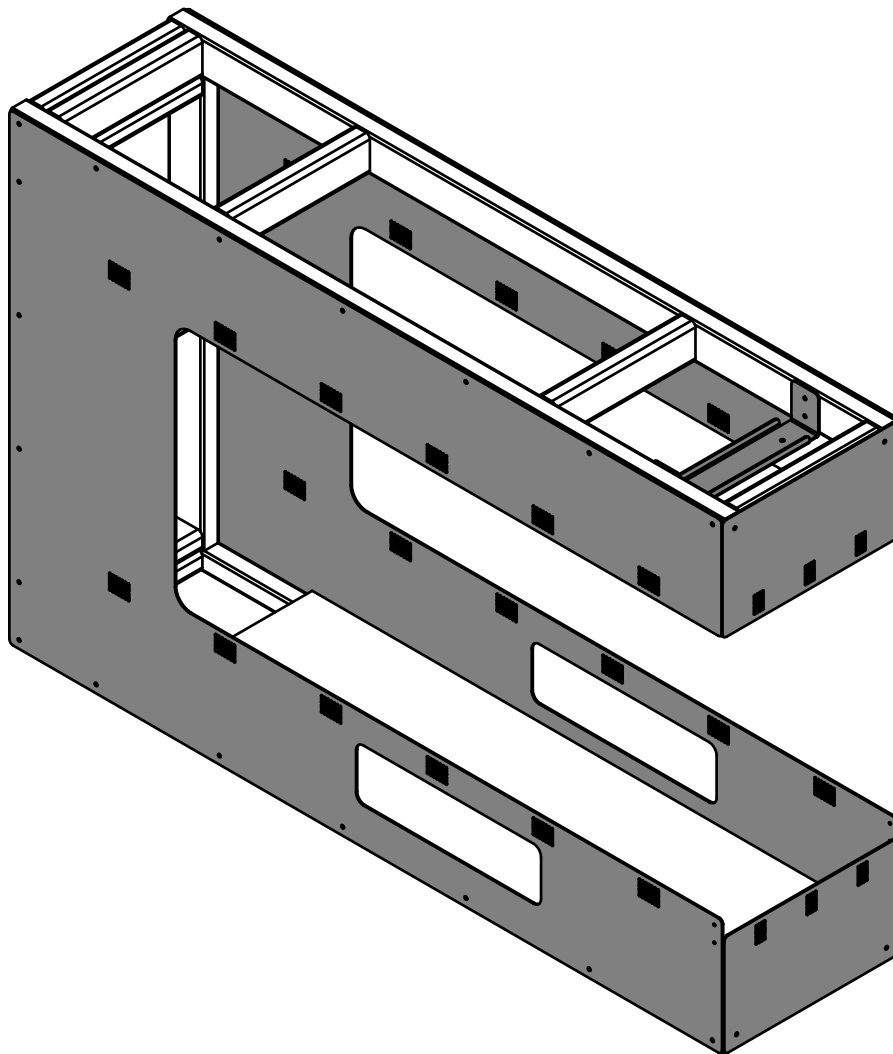


CAUTION - PLEASE READ THESE INSTRUCTIONS PRIOR TO INSTALL

KS1460 Corner/Peninsula

MULTI SIDED GAS FIREPLACE

Installation Instructions for Kitset Wall Unit (KWU)



MODE

Kitset Wall Unit (KWU) Installation Instructions

MODE KS1460 Corner & Peninsula

MODE

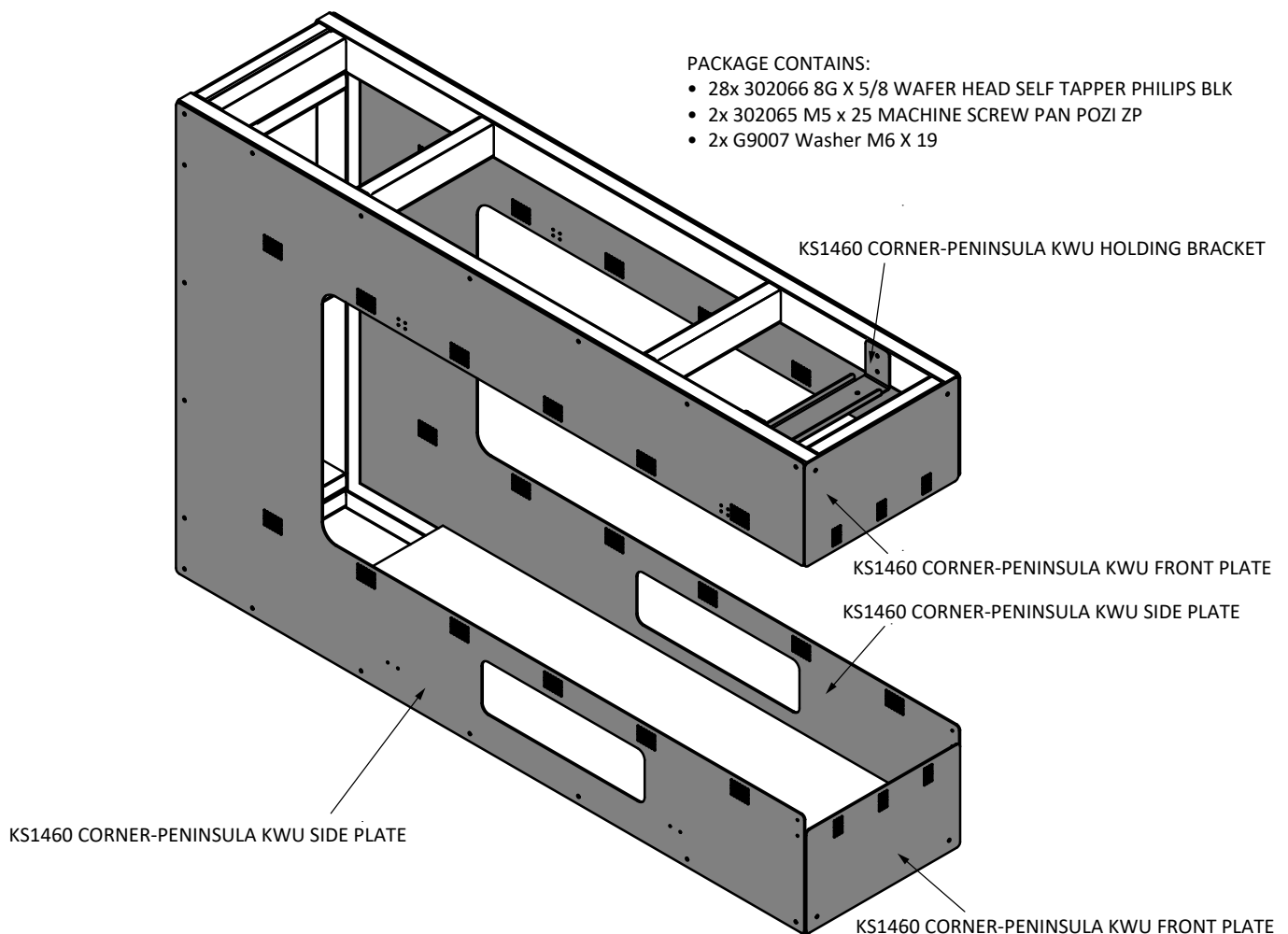
Applies to: KS1460 Corner LH, KS1460 Corner RH, KS1460 Peninsula

KWU Information

The Kitset Wall Unit (KWU) is consisted of metal support brackets attached to timber framing. The KWU is considered to be an integral part of the fireplace and may not be installed without it.

The KWU is designed to sustain up to 500kg of vertical loading.

NOTE/WARNING: ONLY THE METAL SUPPORT BRACKETS ARE PROVIDED (PARTS HIGHLIGHTED IN GREY BELOW). THE TIMBER FRAMING WILL HAVE TO BE CONSTRUCTED ACCORDING TO THE DIMENSIONS IN THE FOLLOWING SECTION.



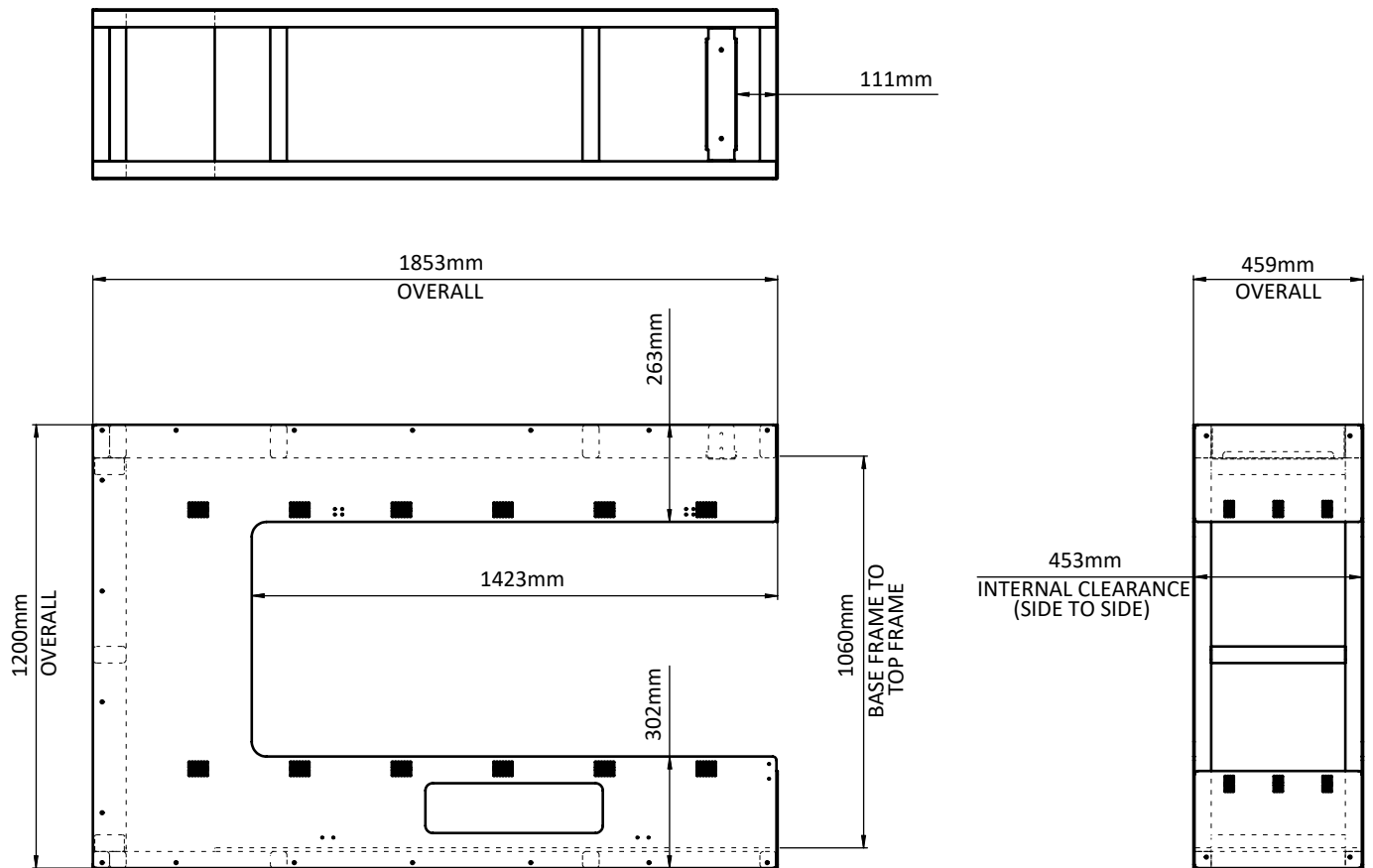
Kitset Wall Unit (KWU) Installation Instructions

MODE KS1460 Corner & Peninsula

MODE

KWU Information (Continued)

KWU Dimensions



Kitset Wall Unit (KWU) Installation Instructions

MODE KS1460 Corner & Peninsula

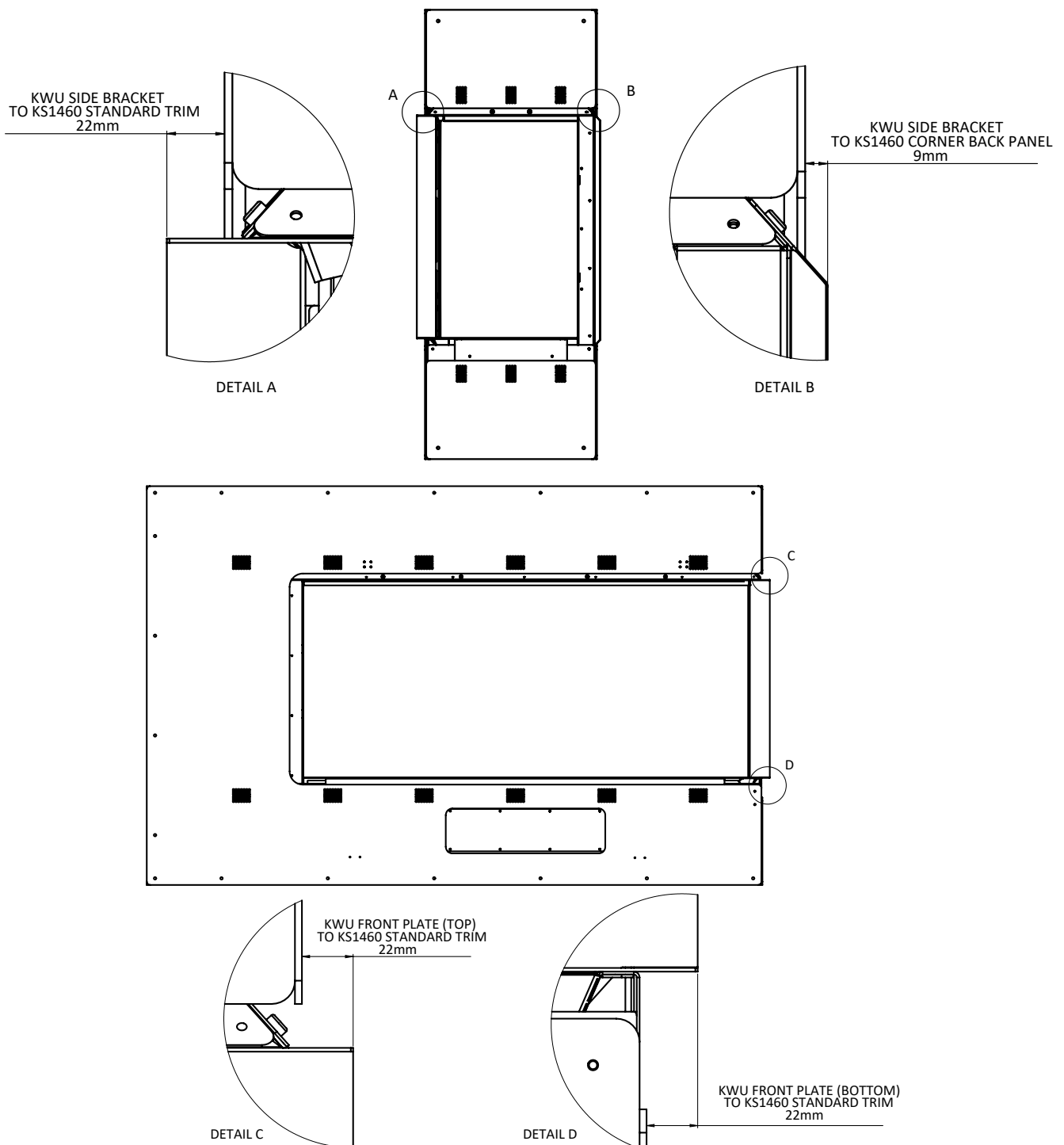
MODE

KWU Information (Continued)

KWU with KS1460 Corner LH & RH Models

The following dimensions are needed to allow for correct wall lining thickness and clearance behind the appliance when installing the KS1460 Corner models:

FOR KWU INSTALLED WITH KS1460 CORNER MODELS



Kitset Wall Unit (KWU) Installation Instructions

MODE KS1460 Corner & Peninsula

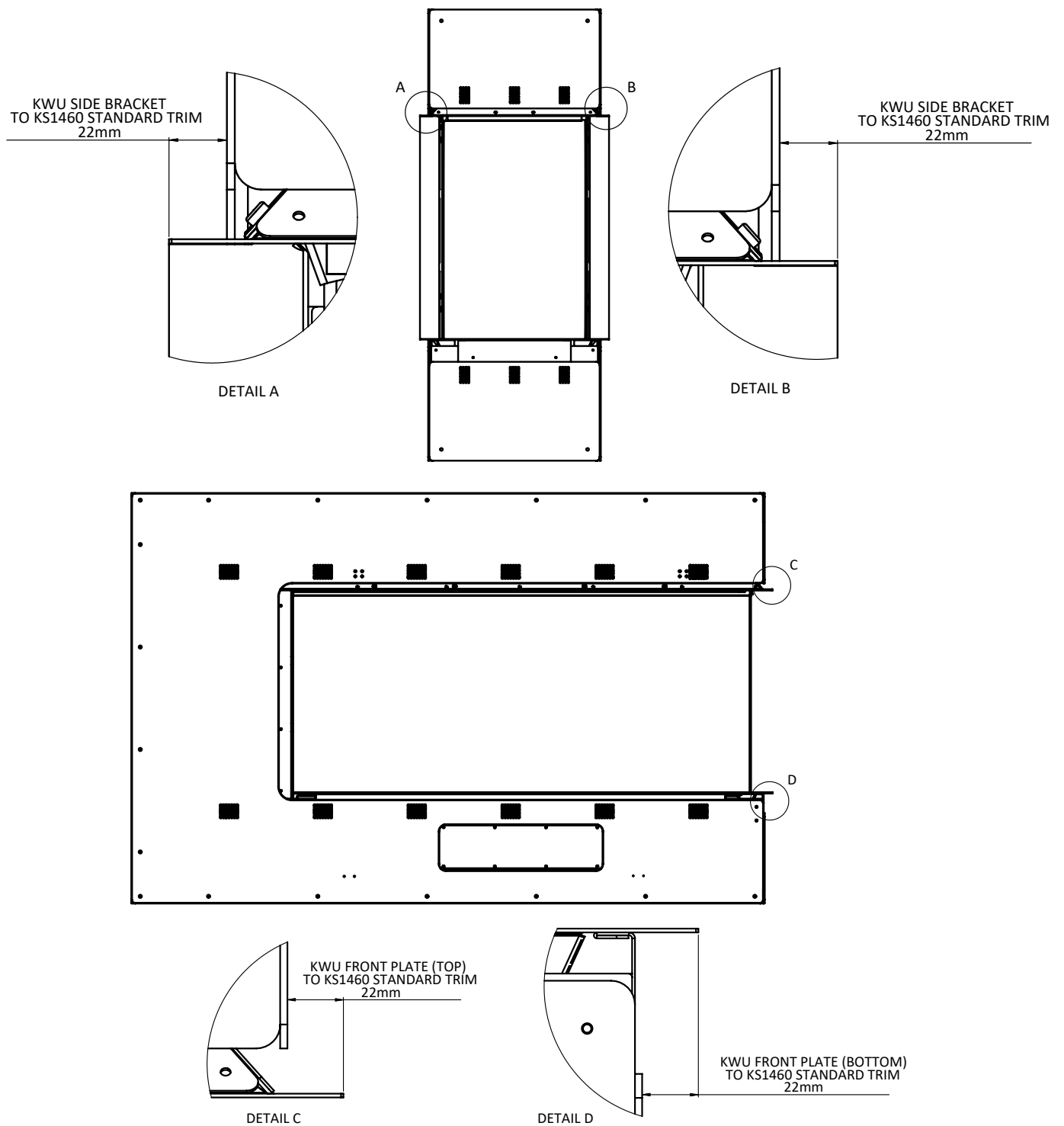
MODE

KWU Information (Continued)

KWU with KS1460 Peninsula Model

The following dimensions are needed to allow for correct wall lining thickness and clearance behind the appliance when installing the KS1460 Peninsula model:

FOR KWU INSTALLED WITH KS1460 PENINSULA MODELS



Kitset Wall Unit (KWU) Installation Instructions

MODE KS1460 Corner & Peninsula

MODE

Timber Framing and Plywood Dimensions

The following timber framing dimensions is required to build the KWU. Please cut timber pieces for framing according to the cutlist listed below and fix the timber pieces together to build the KWU framing.

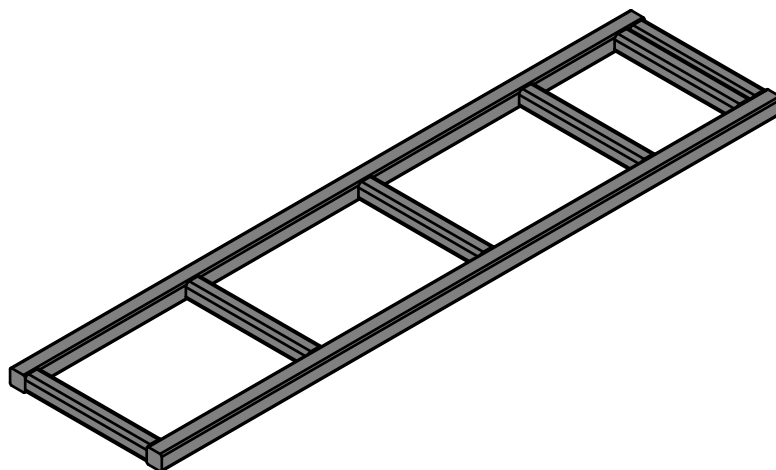
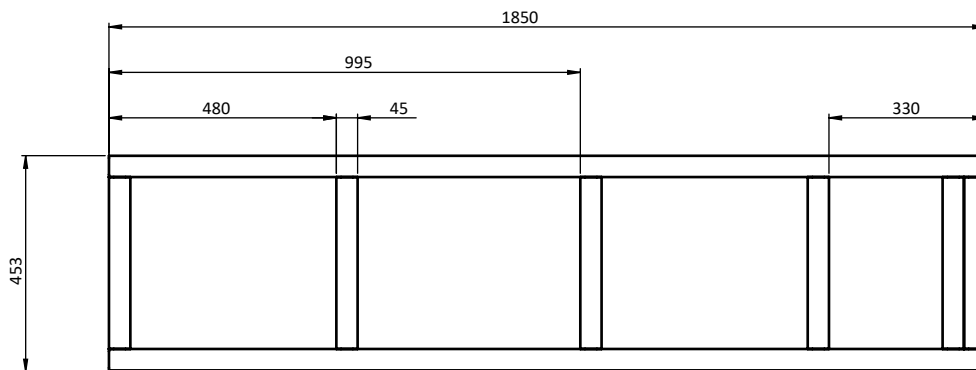
NOTE: Ensure that the timber pieces used to construct the framing are straight and not warped.

Base Frame

Please use 45mm X 45mm (nominal) framing timber to construct the base frame.

Build the frame to the OUTER DIMENSIONS in the images below:

(Frame Dimensions: 1850mm x 453mm x 45mm)



Kitset Wall Unit (KWU) Installation Instructions

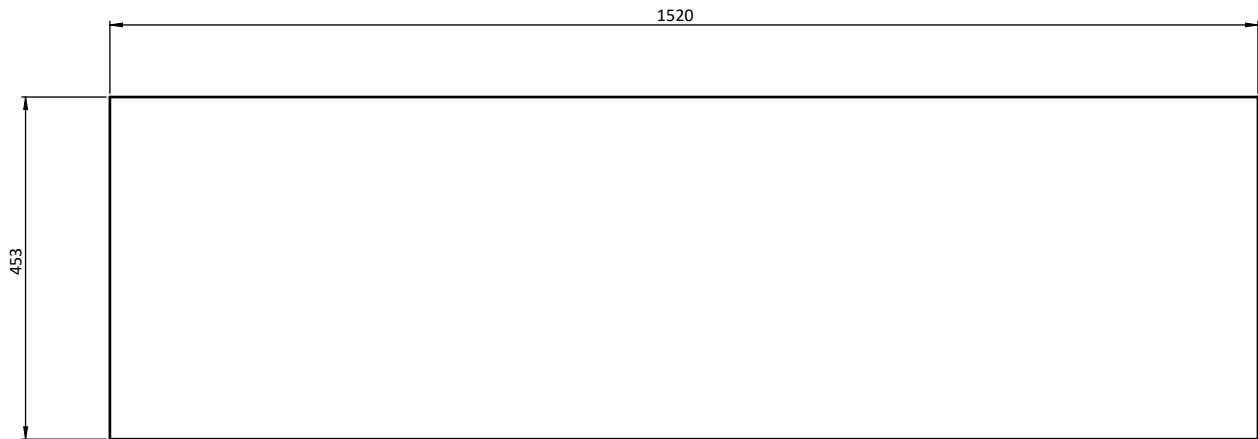
MODE KS1460 Corner & Peninsula

MODE

Timber Framing and Plywood Dimensions (Continued)

Base Panel

Please use a 9mm plywood or a similar material for the panel and cut according the dimensions shown in the diagram below.

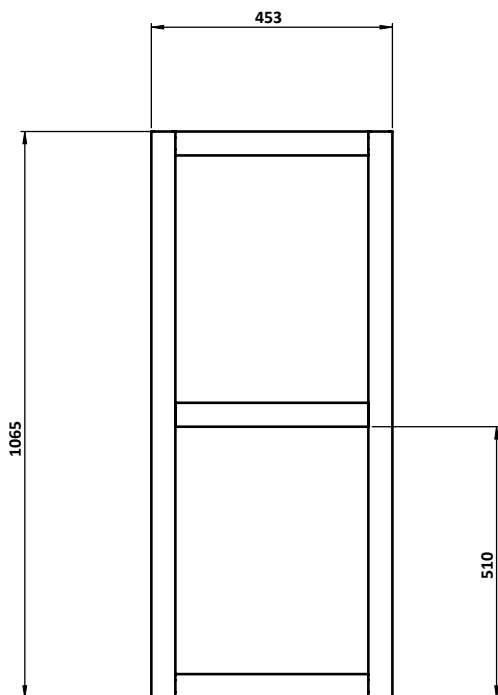


End Frame

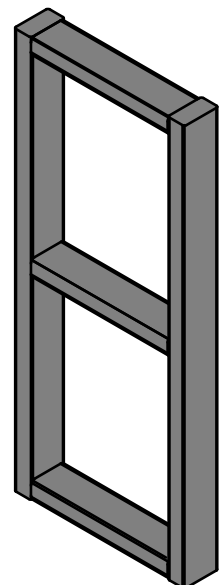
Please use 90mm X 45mm(nominal) framing timber to construct the end frame.

Build the frame to the OUTER DIMENSIONS in the images below:

(Frame Dimensions: 1065mm x 453mm x 90mm)



FRAMING IS SYMMETRICAL



Kitset Wall Unit (KWU) Installation Instructions

MODE KS1460 Corner & Peninsula

MODE

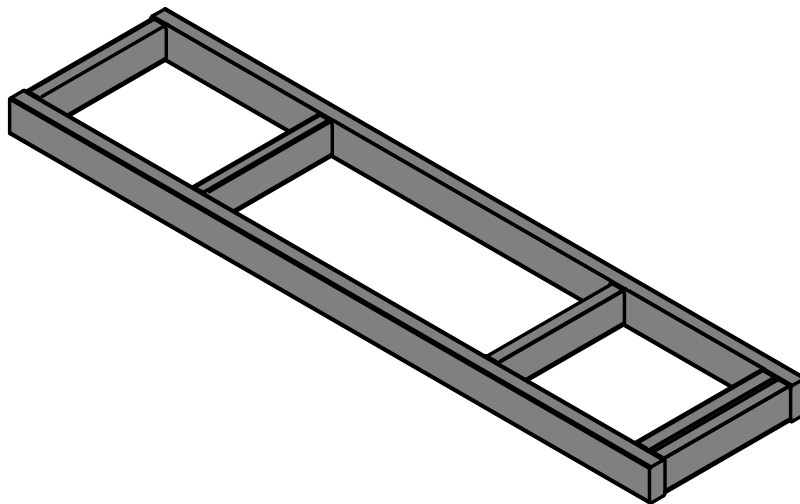
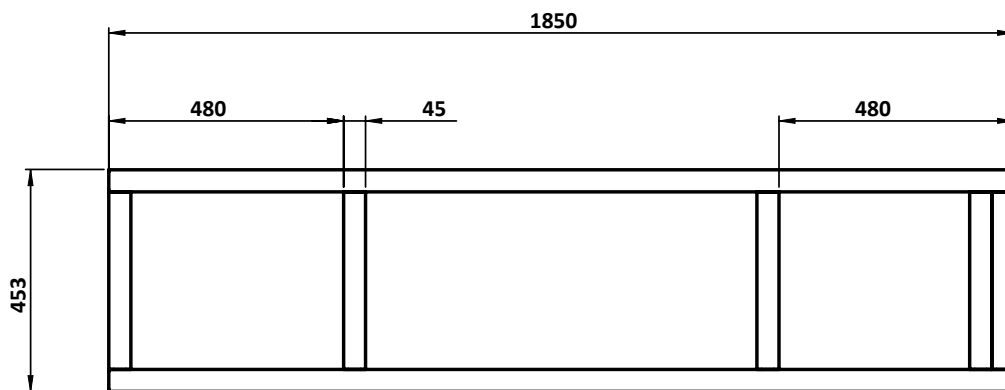
Timber Framing and Plywood Dimensions (Continued)

Top Frame

Please use 90mm X 45mm (nominal) framing timber to construct the top frame.

Build the frame to the OUTER DIMENSIONS in the images below:

(Frame Dimensions: 1850mm x 453mm x 90mm)



Kitset Wall Unit (KWU) Installation Instructions

MODE KS1460 Corner & Peninsula

MODE

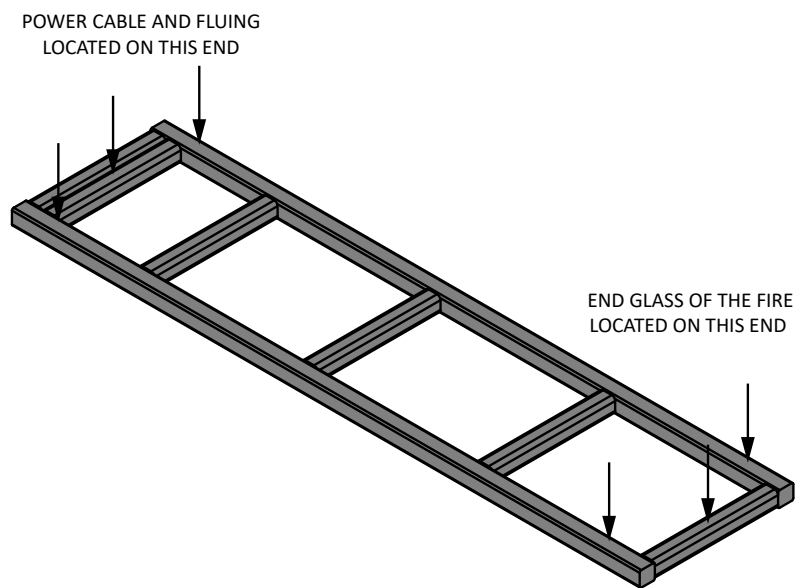
Installation Instructions

Note: Please ensure all timber framing and plywood pieces have been cut and constructed before assembling the KWU. Ensure timber screws and fasteners are placed in spots where they will not collide with one another.

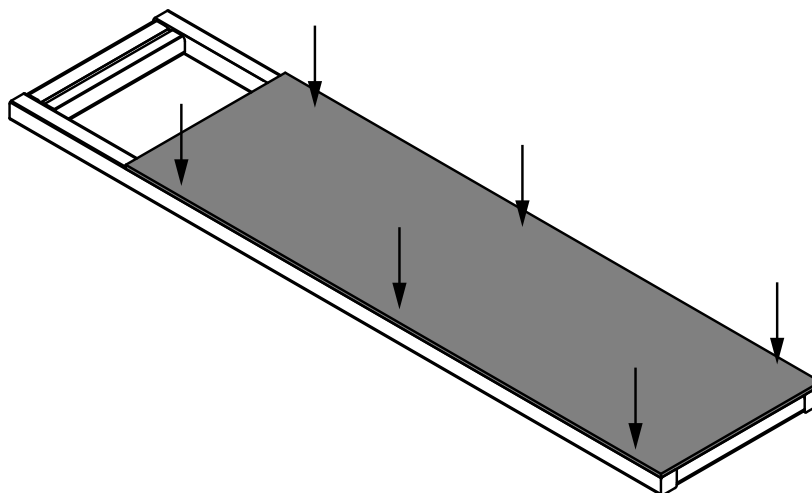
STANDARD PROCEDURE:

Warning: For installation scenarios where the back of the fireplace is/will be inaccessible, please refer to the next section - "PROCEDURE FOR SCENARIOS WITH AN INACCESSIBLE BACK SIDE":

1. Place the base frame on the floor or a raised platform according to the orientation indicated below. Secure base frame to the floor or platform using suitable anchors.



2. Install and fix base panel onto the base frame.



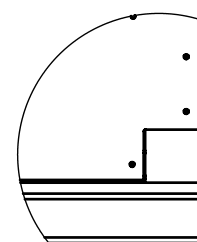
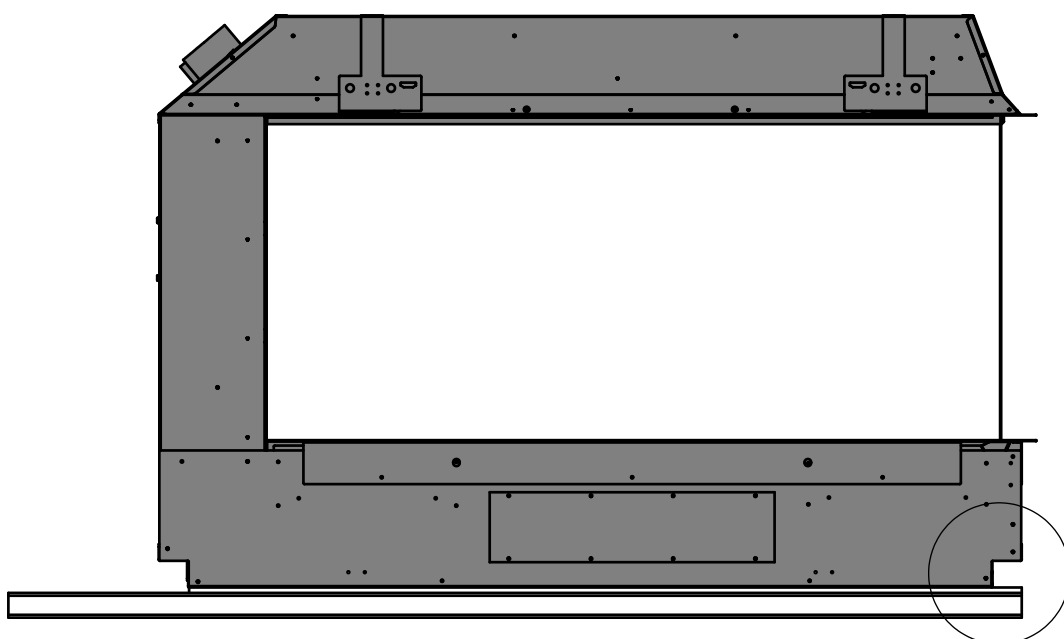
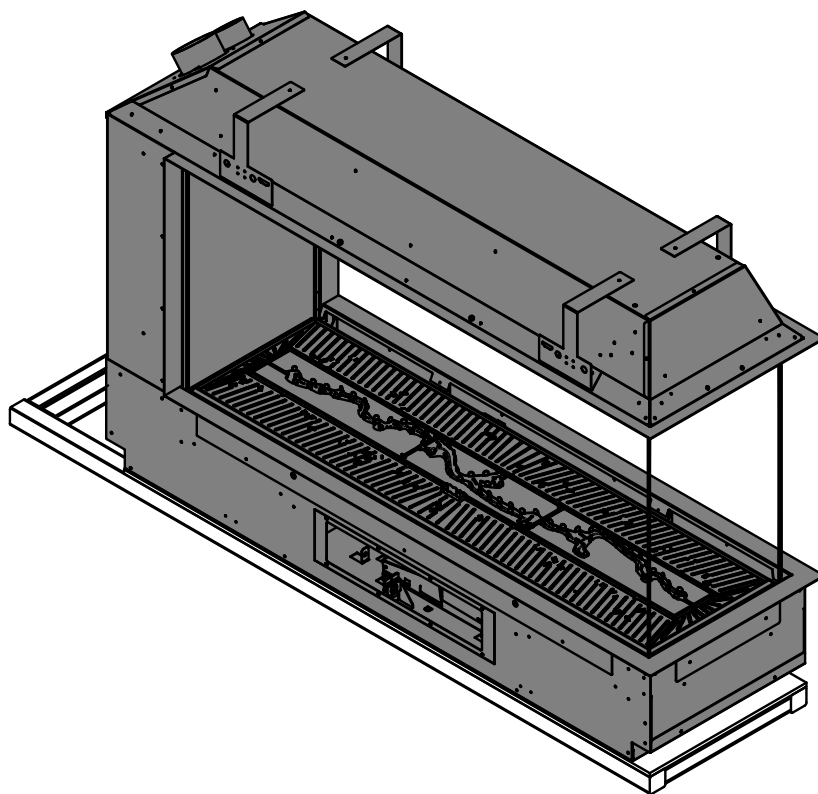
Kitset Wall Unit (KWU) Installation Instructions

MODE KS1460 Corner & Peninsula

MODE

Installation Instructions

3. Place KS1460 fireplace onto base frame. Align the end of the base frame with the appliance base of the fireplace, as indicated below.



END OF CHASSIS IN
LINE WITH EDGE OF
BASE FRAME

Kitset Wall Unit (KWU) Installation Instructions

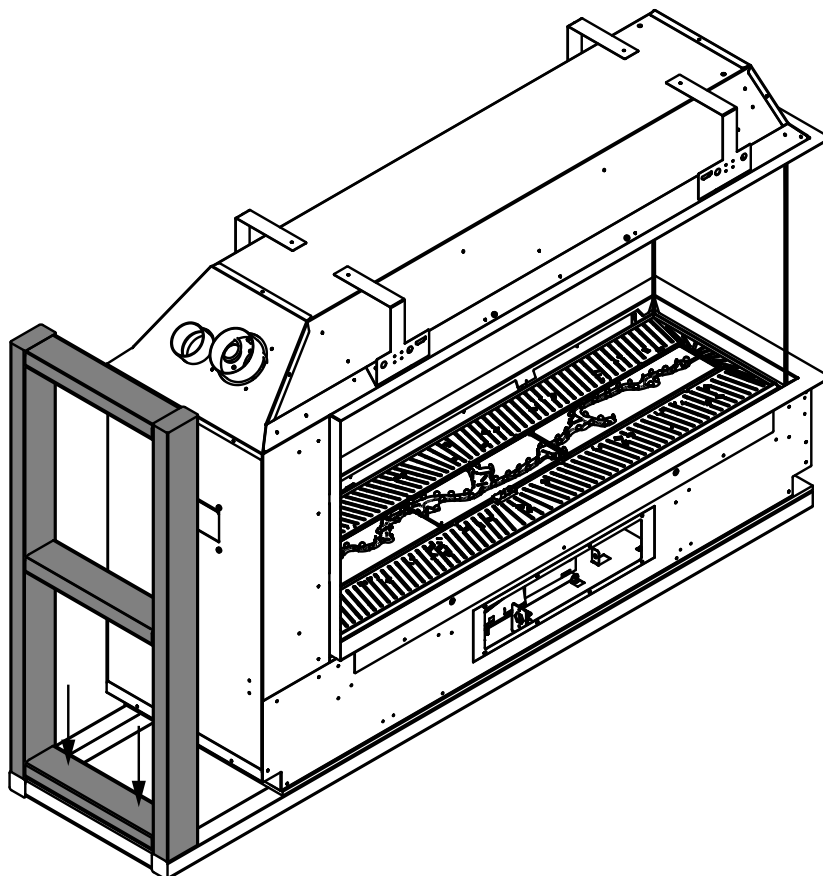
MODE KS1460 Corner & Peninsula

MODE

Installation Instructions

4. Place and secure the end frame on to the base frame with wood screws. Align rear of the end frame with the outer end of the base frame (as indicated below). Secure the end frame to an adjacent with seismic restraining fasteners.

NOTE: Before the side plates are attached, please make sure that the electricity, gas and flue components have been connected along with the power flue cable and home automation cable, if applicable.



Kitset Wall Unit (KWU) Installation Instructions

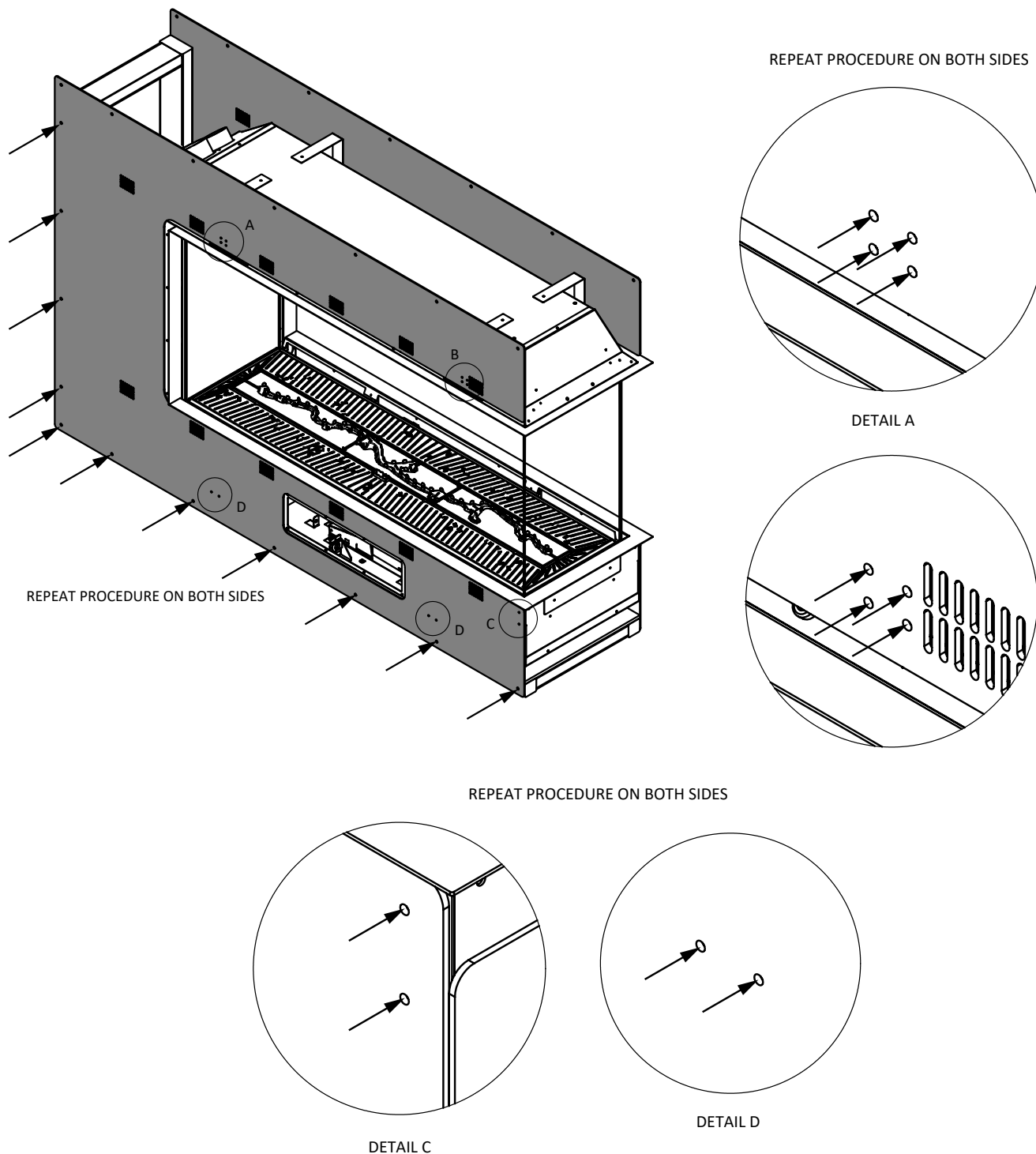
MODE KS1460 Corner & Peninsula

MODE

Installation Instructions

- Place the side metal KWU panels on the front and back of the fire. The panel ends must align with the rear of the end frame and the ends of the base frame. Secure the side metal plates to the timber framing with wood screws. On each of the side metal plates, use the provided wafer head screws (low profile head) to secure the plates to the chassis lid and the chassis base.

NOTE: Before the side plates are attached, please make sure that the electricity, gas and flue components have been connected along with the power flue cable and home automation cable, if applicable.



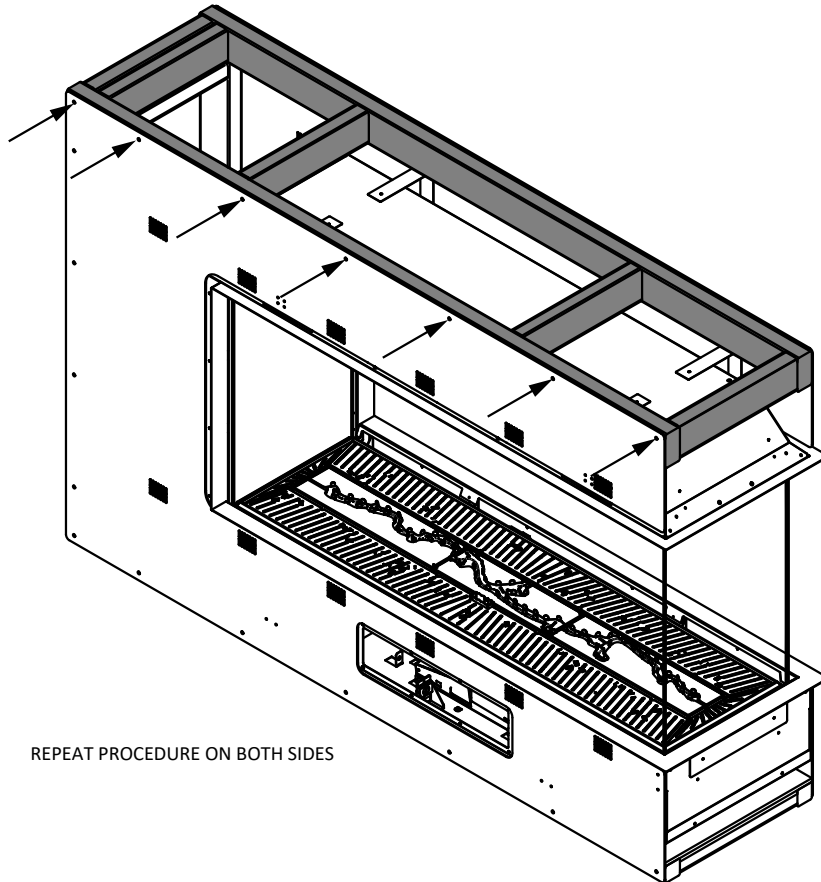
Kitset Wall Unit (KWU) Installation Instructions

MODE KS1460 Corner & Peninsula

MODE

Installation Instructions

6. Place and secure the top frame on to the end frame with wood screws. Align the outer end of the top frame with the rear of the end frame. Secure the side metal brackets to the top frame with wood screws.



Kitset Wall Unit (KWU) Installation Instructions

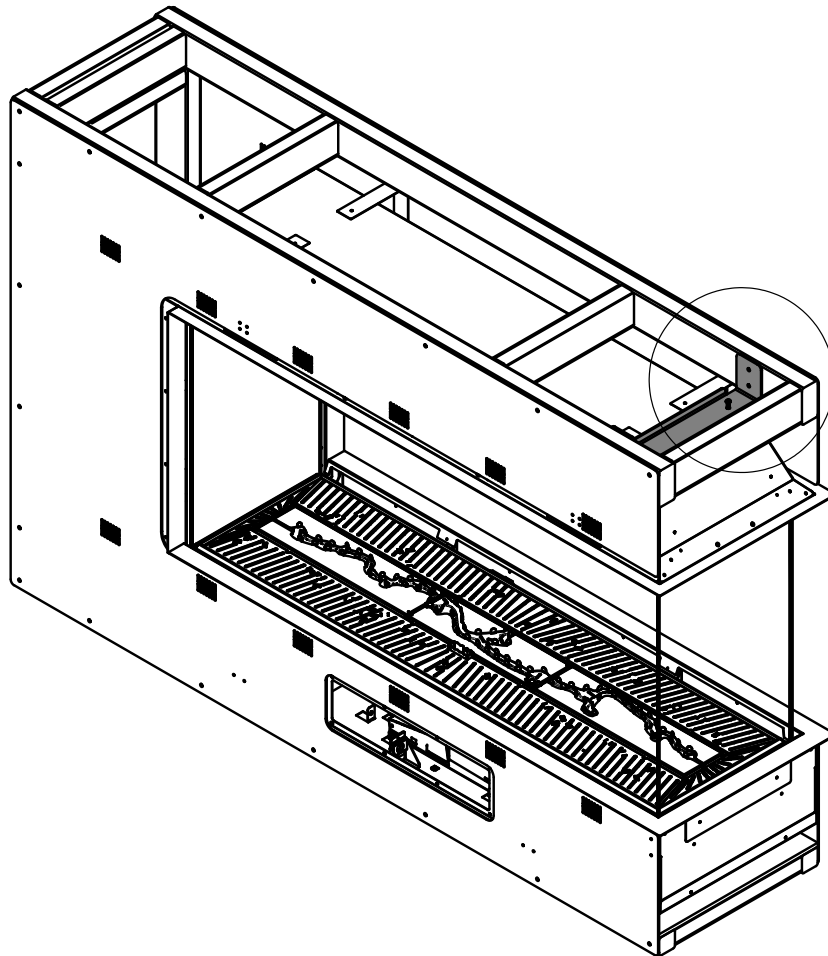
MODE KS1460 Corner & Peninsula

MODE

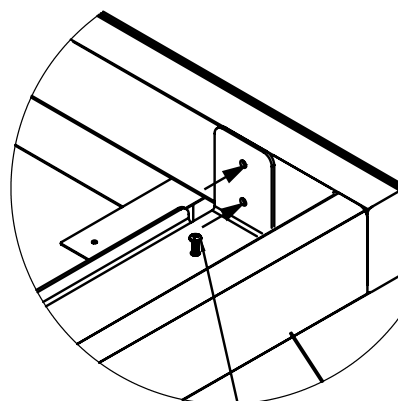
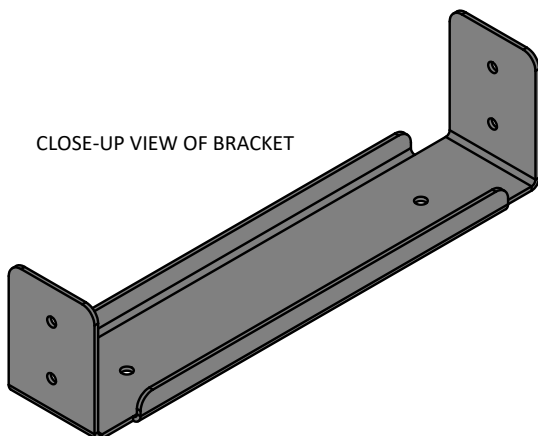
Installation Instructions

- Place the KWU-chassis lid bracket on the top frame. Ensure the bracket holes are aligned with the nuts in the chassis lid. Leave a 10mm gap between the chassis lid and the KWU bracket. Using wood screws, secure the bracket to the top timber frame through the four pre-drilled holes on the sides of the bracket.

Attach the provided M5 screws and washers through the holes on the KWU-chassis lid bracket to level the chassis lid.



CLOSE-UP VIEW OF BRACKET



SCREW UP OR DOWN
TO ADJUST TILT



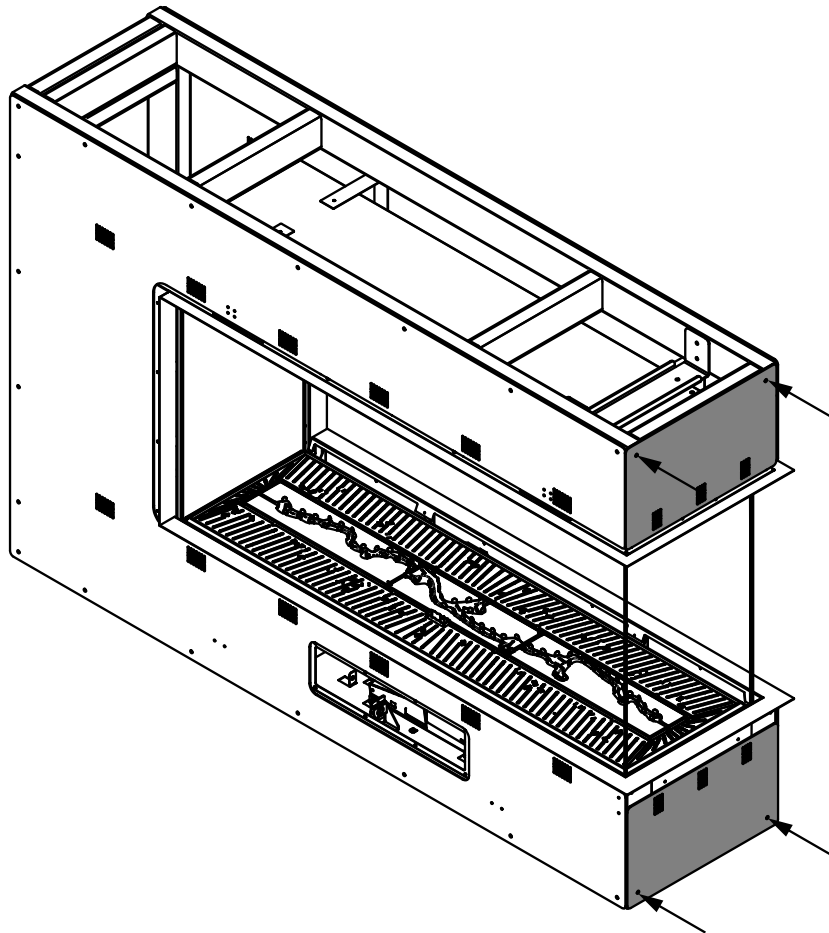
Kitset Wall Unit (KWU) Installation Instructions

MODE KS1460 Corner & Peninsula

MODE

Installation Instructions

8. Attach end metal brackets on to the top frame and base frame to complete the KWU installation.

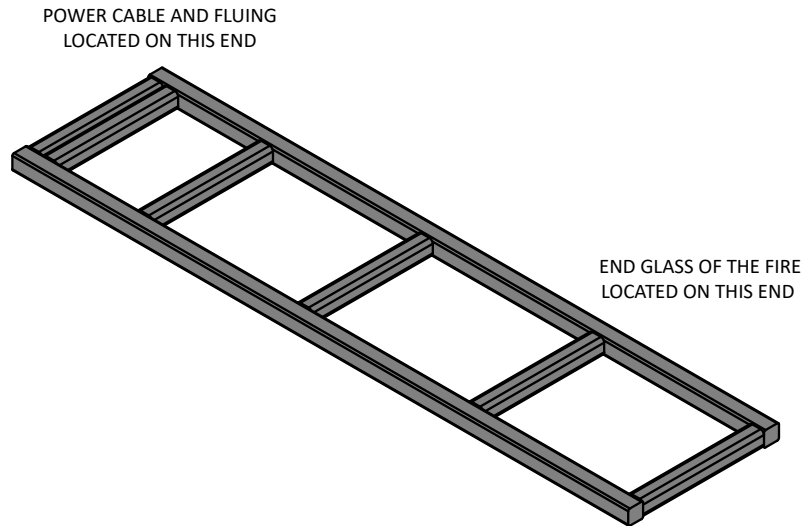


Installation Instructions

PROCEDURE FOR SCENARIOS WITH AN INACCESSIBLE BACK SIDE:

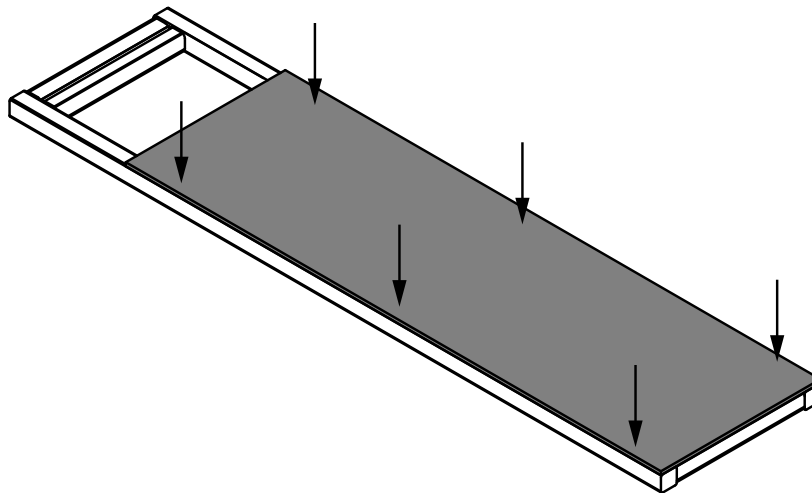
1. Place the base frame on the floor or raised platform according to the orientation indicated below.

Warning: PLEASE DO NOT FIX THE BASE FRAME TO THE FLOOR IN THIS STEP.



2. Install and fix base panel onto the base frame.

Warning: PLEASE DO NOT FIX THE BASE FRAME TO THE FLOOR IN THIS STEP.



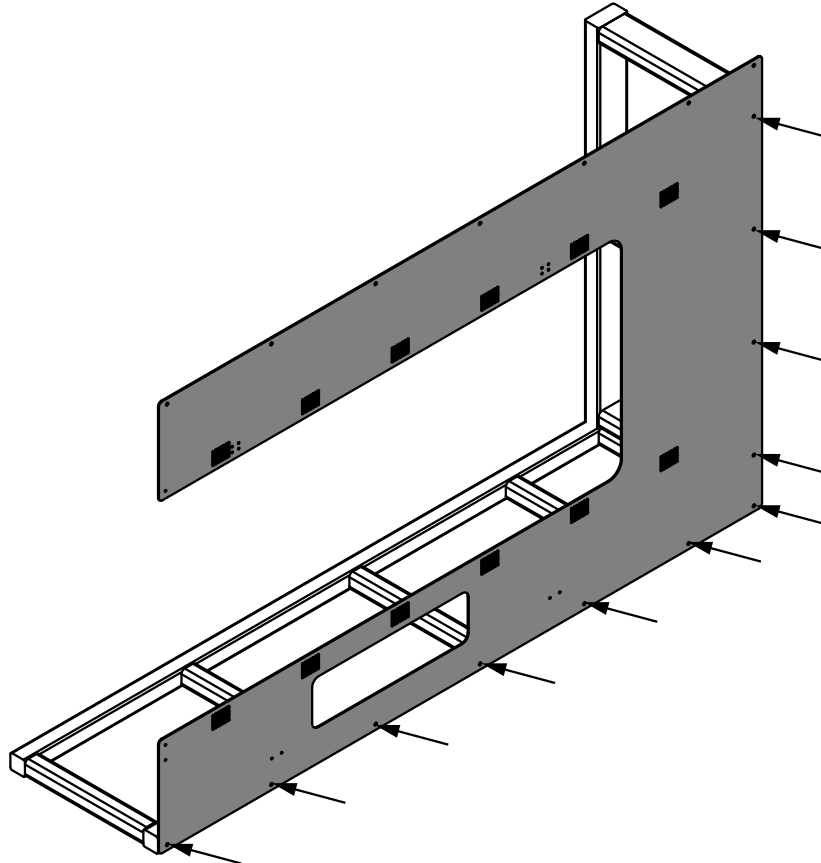
Kitset Wall Unit (KWU) Installation Instructions

MODE KS1460 Corner & Peninsula

MODE

Installation Instructions

3. Place a side metal KWU panels on what will be the inaccessible back side of the fire. The panel ends must align with the rear of the end frame and the ends of the base frame. Secure the side metal plate to the timber framing with wood screws.



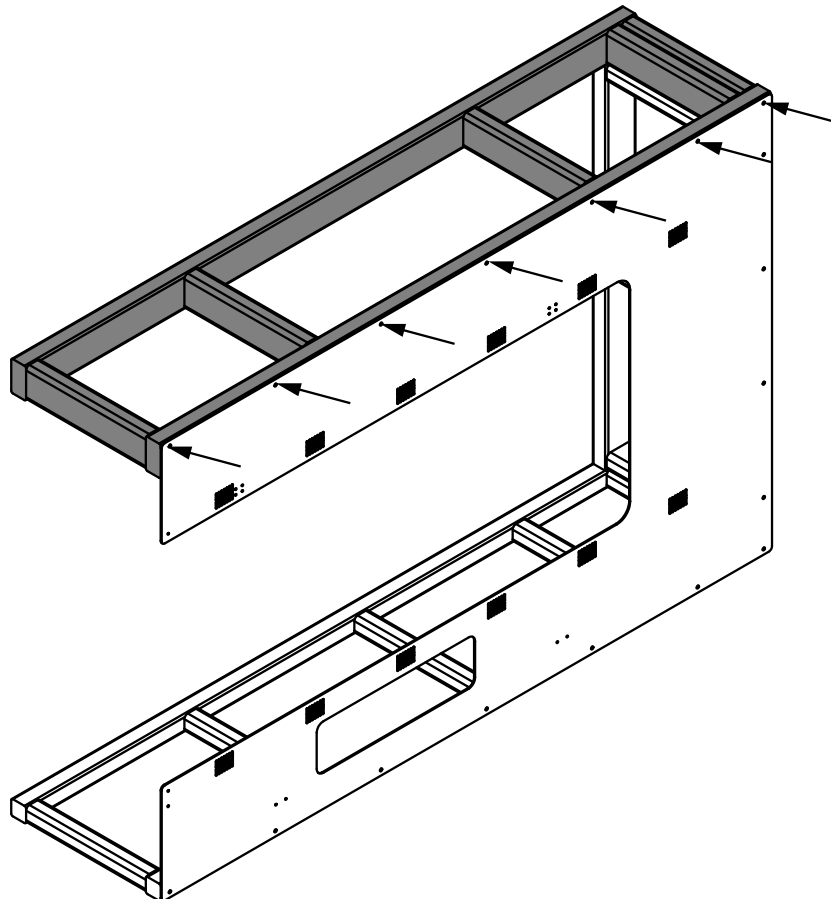
Kitset Wall Unit (KWU) Installation Instructions

MODE KS1460 Corner & Peninsula

MODE

Installation Instructions

4. Place and secure the top frame on to the end frame with wood screws. Align the outer end of the top frame with the rear of the end frame. Secure the side metal brackets to the top frame with wood screws.



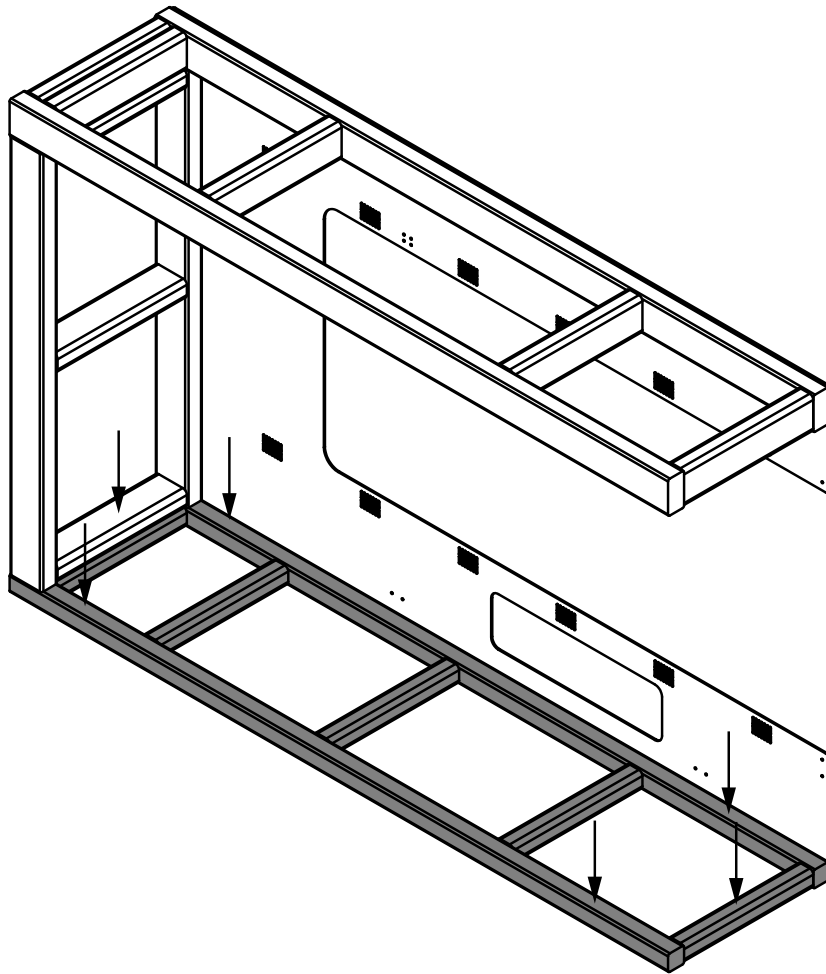
Kitset Wall Unit (KWU) Installation Instructions

MODE KS1460 Corner & Peninsula

MODE

Installation Instructions

5. Position the KWU in its required location, then secure the base frame to the floor or platform using suitable anchors.



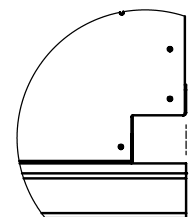
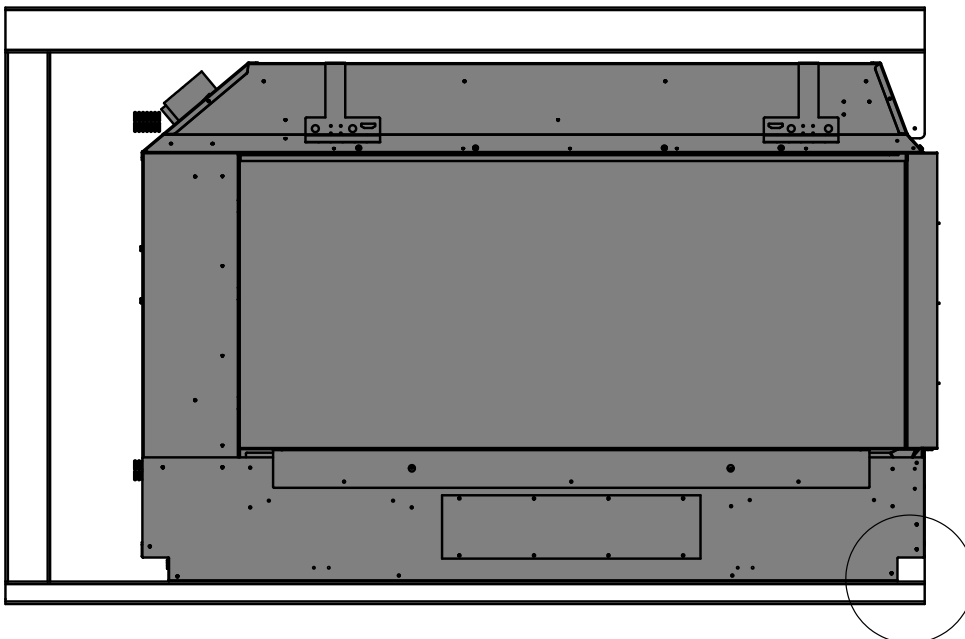
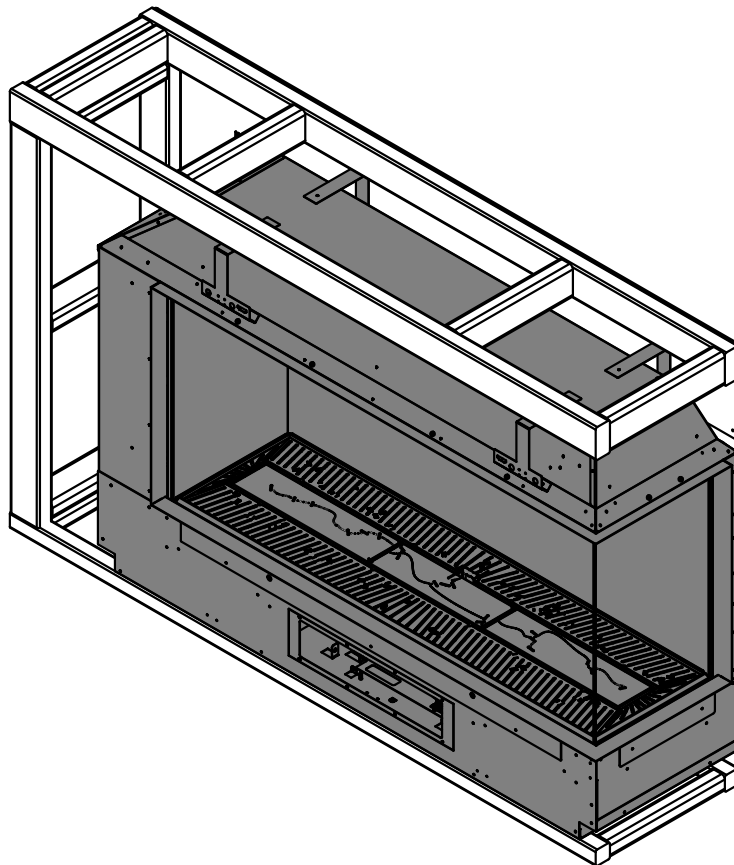
Kitset Wall Unit (KWU) Installation Instructions

MODE KS1460 Corner & Peninsula

MODE

Installation Instructions

- Place KS1460 fireplace onto base frame. Align the end of the base frame with the appliance base of the fireplace, as indicated below.
Note: After this step, please complete the KWU installation by following Step 5, Step 7 and Step 8 of the Standard Procedure, in this exact order.



END OF CHASSIS IN
LINE WITH EDGE OF
BASE FRAME